

MicroEdge Plug-in RS-485-CAN Tech-Note

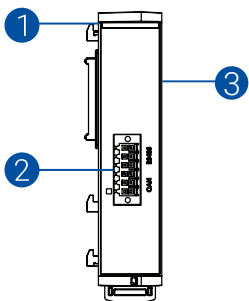
Plug-in with RS-485 + CAN

The MicroEdge Plug-in RS-485-CAN is a module designed for situations where an extra serial communication port is needed or when CAN communication is necessary for JMobile or CODESYS runtime applications.

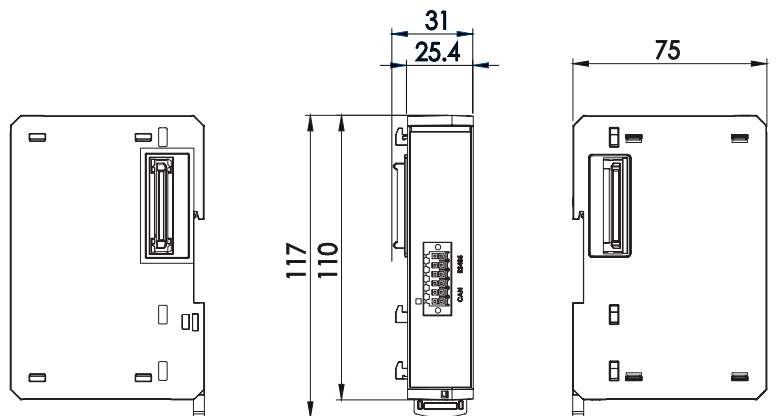
- RS485 isolated (Modbus Master/Slave configuration)
- CAN/CAN-FD ready



Interface	
Serial port	1 (RS-485, isolated)
CAN/CAN-FD port	1 (isolated)
Expansion port	Yes
LED	1 RGB
Protection Class	
Operating Temperature	-20°C to +60°C
Storage Temperature	-30°C to +70°C
Operating/Storage Humidity	5 - 85% RH, non condensing
Protection Class	IP20
Dimensions and Weight	
Height (H)	110 + 7 mm (4.33" + 0.28")
Width (W)	25.4 mm + 5.6 mm (1" + 0.22")
Depth (D)	75 mm (2.95")
Weight	0.140 Kg
Approvals	
CE	Electromagnetic Compatibility Directive 2014/30/EU (EMC)
FCC	FCC Part 15 Subpart B Class A
IC	ICES-003 ISSUE 7 CLASS A
UL	cULus: UL61010-1 / UL61010-2-201
RCM	Yes



1. LED Indicator - Device status
2. CAN RS485
3. Expansion slots for plug-in modules



Ordering Information

Model	Part Number	Description
MicroEdge Plug-In RS485-CAN	105006700U-0001	MicroEdge Plug-In RS485-CAN XMP-000